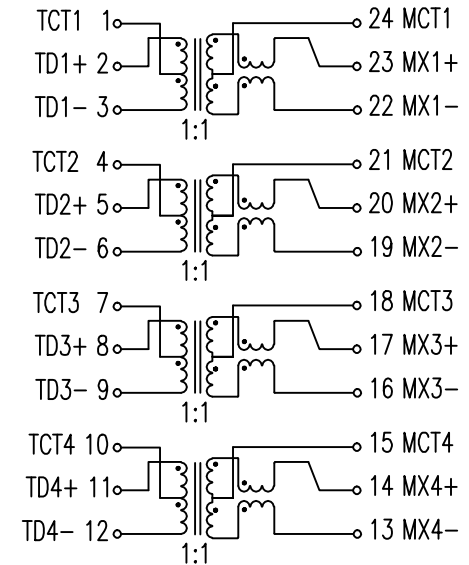


SUGGESTED PAD LAYOUT



\* RoHS COMPLIANT

ELECTRICAL CHARACTERISTICS @25°C:

1. TURNS RATIO : TX/RX = 1CT : 1CT ±5%
2. PRI OCL (@100kHz/0.1V With 8mA DC Bias) : 350uH MIN.
3. INSERTION LOSS : 1-100MHz = -1.1dB MAX.
4. RETURN LOSS (@100Ω) : 1-30MHz = -18dB MIN.  
40MHz = -16dB MIN.  
50MHz = -14dB MIN.  
60-80MHz = -12dB MIN.
5. DCMR : 1-100MHz = -30dB MIN.
6. CROSS TALK : 1-100MHz = -30dB MIN.
7. LK(@100kHz, 0.1Vrms) : 0.5uH MAX.
8. DCR : 1.2Ω MAX.
9. HI-POT : 1500Vrms, 1mA, 60SEC
10. OPERATING TEMPERATURE RANGE : -40°C~+85°C
11. STORAGE TEMPERATURE RANGE : -40°C to +105°C

UNLESS OTHERWISE SPECIFIED ALL TOLERANCES ARE ±0.25mm

							TITLE: 100/1000 BASE-T TRANSFORMER	
							DWG. NO. ATPL-107ATR	
RELEASE		09/27/2018	SHIRLEY	BETTY	BETTY	UNITS: M/M	SAFETY	SHEET 1 of 1
NO:	DESCRIPTION	DATE	BY	CHK	APPD	DATE	P/N:	DRAW
REVISIONS						09/27/18		SHIRLEY